

connect[®]

THE MOST PANELS PER M²

PV projects are all about quality, speed and surface area. The **Connect OW** Project mounting system excels at all three. It has a solid construction of corrosion-resistant material, smart basic elements for quick mounting and the smallest pitch length in the market, which results in the highest number of solar panels per square metre; up to **8% more** than the current standard.

SPEED AND MAXIMUM FLEXIBILITY

Our **ready-made basic elements** are available in two sizes and are up on the roof in no time. It's simply a matter of unfold, click and go. Using different connectors, you decide where the walkways will be. This allows for a very **flexible** installation plan and you will get the **most** out of the roof surface.

SMART CABLE MANAGEMENT

Using the conduits, you can safely and quickly place all cables out of sight. It's easy to click an optimiser into the foot.

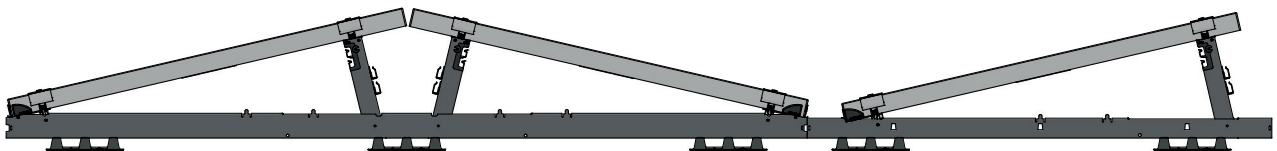
SUPER-FAST INSTALLATION

Our system has few components; one basic element holds two panels. This allows for super-fast installation.



WHY CHOOSE CONNECT OW PROJECT?

- ✓ Up to 8% more panels per roof
- ✓ Ready-to-use basic elements
- ✓ Two panels per basic element
- ✓ Carriers are recyclable and resistant to UV
- ✓ Very little packaging material
- ✓ 20-year warranty



Want to end the row with a single panel? No problem! Use the standard Connect basic element. (Article number 500170).



HANDY CALCULATOR FOR INSTALLERS

Making calculations for your next project? Use our calculator to get the figures you need quickly and place your order directly. Including:

- ✓ Material list
- ✓ Schematic
- ✓ Ballast plan

blubase[™]

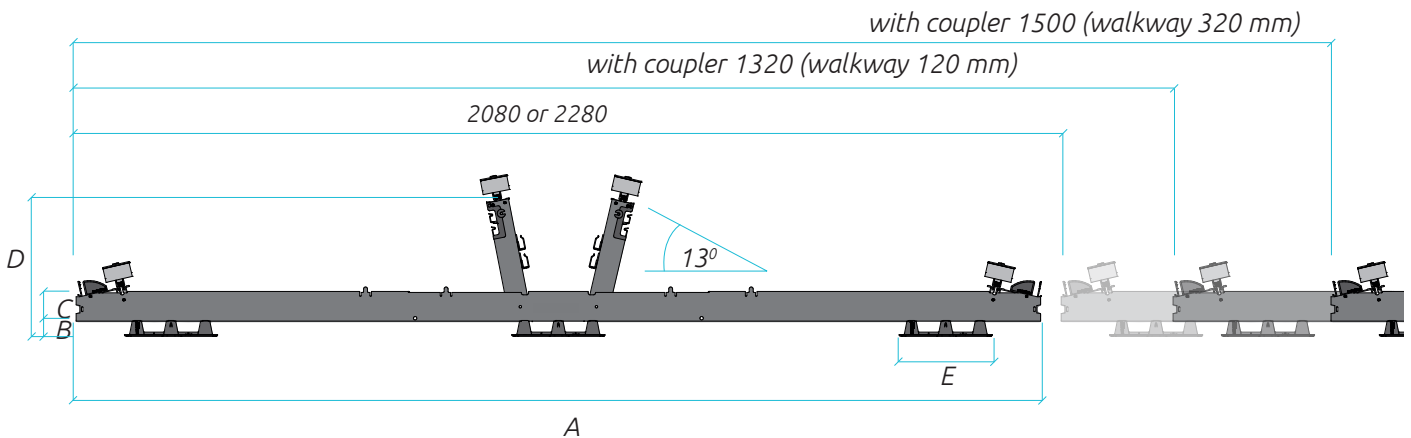
WANT MORE INFO?

Call us on +31 (0)85 8000 501
or email info@blubase.com

PRODUCT INFORMATION

Orientation	<i>east-west</i>
Angle	<i>13°</i>
Materials	<i>Magnelis steel/stainless steel/aluminium</i>
Roof type	<i>flat roof with concrete, bitumen, pvc* or gravel**</i>
Solar panels	<i>all conventional PV modules</i>
Warranty	<i>20 years for the materials (if installed according to the manual)</i>

* The foot is made from ASA plastic, so it does not contain any plasticisers and is resistant to UV.
 ** When using our elevating block (50 mm, article 500810), the gravel does not need to be removed from the entire roof.



PANEL DIMENSIONS MIN-MAX

Cells	Length	Width		Thick-ness
		(art. 500157)	(art. 500157)	
60 landscape	1617–1779	up to 1150	up to 1055	28–45
72 landscape	1980–2189	up to 1150	up to 1055	28–45
66 landscape	1797–1909	up to 1150	up to 1055	28–45

BASIC ELEMENT DIMENSIONS

A	2080 or 2280 mm
B	35 mm
C	60 mm
D	280 mm
E	190 mm

Coupler	BASIC ELEMENT 2280 WITH PANELS UP TO 1005 MM (ART. 500157)		BASIC ELEMENT 2280 WITH PANELS UP TO 1055 MM (ART. 500155)	
	pitch length	spacing	pitch length	spacing
<i>east-west (art. 500050)</i>	2280	0	2080	20
<i>1320 (art. 500013)</i>	2400	120	2200	120
<i>2300 (art. 500015)</i>	2600	320	2390	320

BALLAST

The system must be weighted down as per NEN 1991-1-4. This can be done using stones or gravel in the ballast tray or stones on the ballast profiles.

NO-GO ZONE

Turbulent wind flows can occur along the facade. Therefore, keep a zone at the edge of the roof free from solar panels. This zone must be 1/6 of the height of the roof and a minimum of 75 cm. For roofs over 12 metres above ground, ask your supplier for advice.
 NEN 7250: 2014

EQUIPOTENTIAL BONDING

The equipotential bonding takes place automatically between the Magnelis steel and the aluminium. This prevents the build up of voltage in the material, ensuring no faults occur with the inverters or micro-inverters. NEN 1010:2015

APPLICABLE NORMS

NEN-EN 1990
 NEN-EN 1991-1-3
 NEN-EN 1991-1-4
 NEN 7250
 NEN-EN 1999-1-4
 NEN-EN 1997

Eurocode: Basis of structural design
 Actions on structures - Snow loads
 Actions on structures - Wind actions
 Solar energy systems - Integration in roofs and facades
 Design of aluminium structures
 Geotechnical design

LOADS

Calculate the loads using the calculator on Bluebase.com