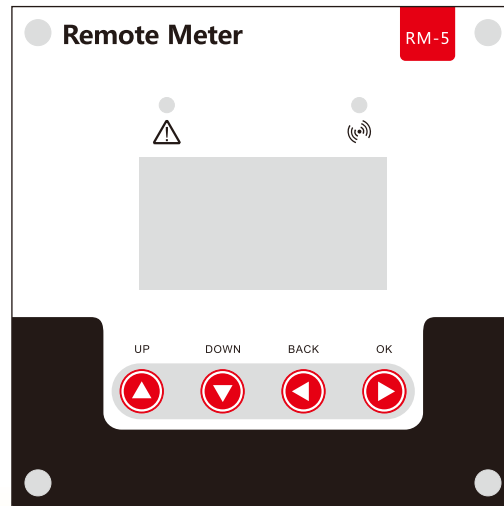


SR-RM Series LCD Unit

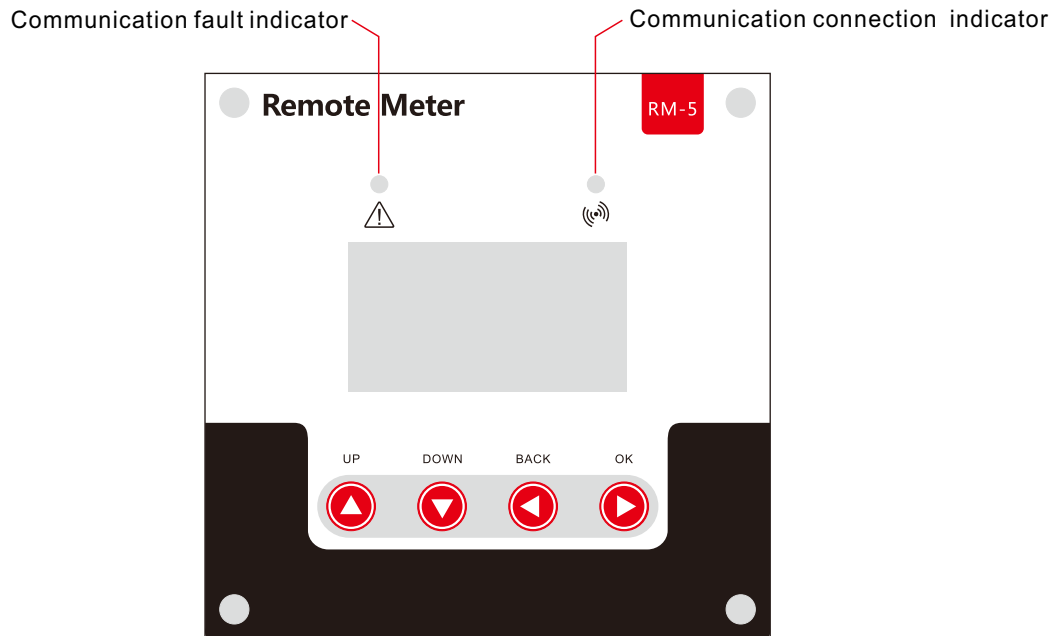
SR-RM-5



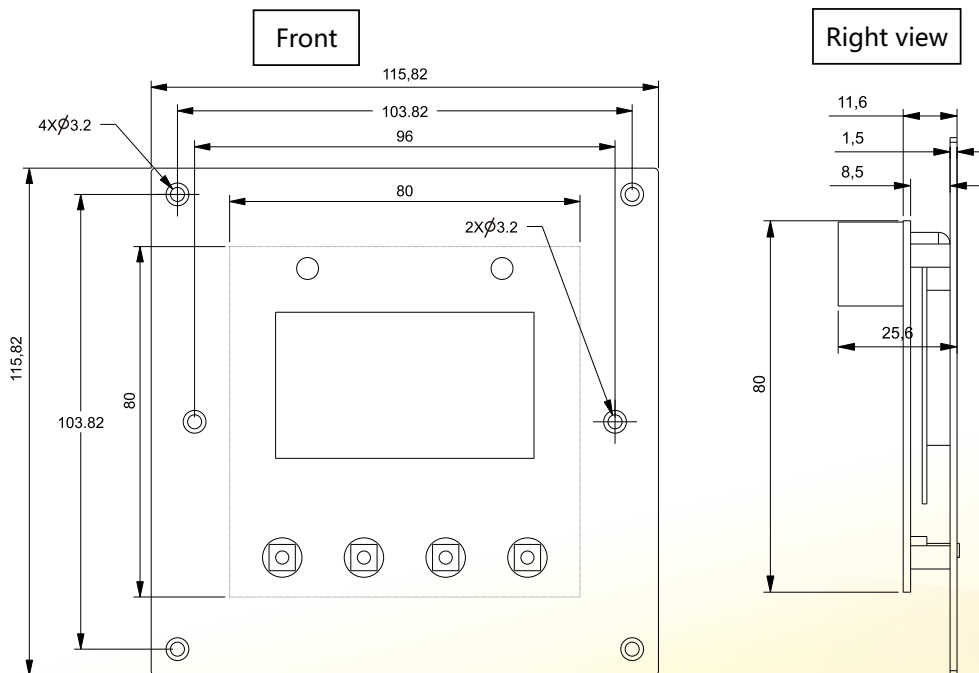
Features

- 1) Adopts a 128*64 LCD screen, with the menus designed with numeric and graphic forms.
- 2) With a graphical design, the main menu is artistic as well as informative: it can display up to 10 parameters and states.
- 3) Able to read the historical data of a certain day.
- 4) A low-power-consumption BLE4.0 feature enables more powerful functions when pairing with a mobile APP (optional).
- 5) Employs two indicator lights to indicate controller abnormalities and communication errors respectively.
- 6) Features a controller abnormality voice alarm function which can be switched on/ off.
- 7) A backlight time setting function is available.
- 8) Able to monitor live data and operating statuses of the controller .On/ off switching, clearing of historical data and restoring to factory settings can all be done with this unit.
- 9) Adoption of standard Modbus communication protocol.
- 10) Features standard RJ12 as the communication interface.
- 11) With no need of an external power source, connection with a controller by means of a data cable will be enough to enable the unit to be powered .
- 12) Boasts an industrial grade design and excellent anti-interference capacity, the product can function well in various tough conditions.

Product Picture





Installation on a controller case or paneltail



Display item, Mode Setting and keys operation

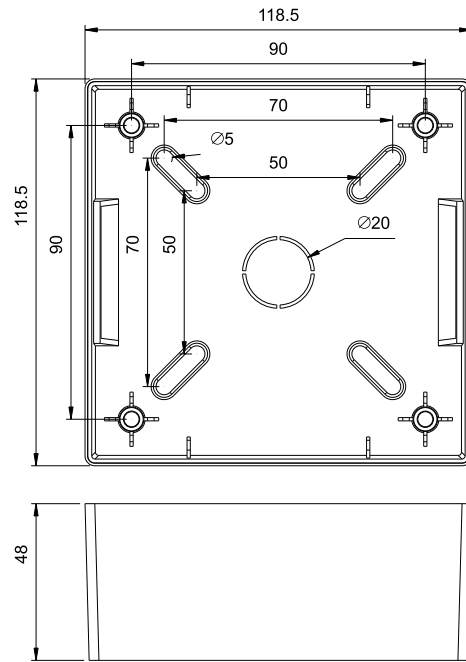
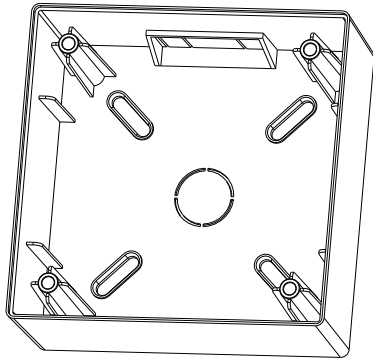
Displaying item	LED status	Displaying parameter	Special functional keys
Solar Panels Voltage	Pv Voltage	999.9 V	under the four conditions, Long touch for 2 seconds, the eight status lamps will flash twice, it indicates that it enters into Auto-browsing mode. At the same time, LCD screen shows "Auto" on the left.
Battery Voltage	Bat Voltage	99.99 V	
Charge Current	Charge_Current	99.99 A	
Load Current	Load_Current	99.99 A	
Charge Capacity	Charge_Ah	9999AH/99.99KAH/999.9KAH/9999KAH	When it is normal mode and the displaying item is charging capacity or discharge capacity, Long touch for 2 seconds,, Send the order of clearing history data (the unit will be changed automatically)
Discharge Capacity	DisCharge_Ah	9999AH/99.99KAH/999.9KAH/9999KAH	
Temperature	Temp.	-40 ~ 127 °C	Once fault code appears, it will stop charging, the load will be disconnected, it will recover once the fault is removed.
Fault Code	Error	E0, no error	
		E1 ,PV is over voltage	
		E2 ,PV is over load	
		E3 , PV is short circuit	
		E4 ,the load is short circuit	
		E5 ,the load is over load	
		E6, the outer is over temperature	
		E7, the outer temperature sensor is damaged	
		E8, the inside is over temperature	
E9, the inside temperature sensor is damaged			

LCD icon blink comparison

LCD Icon	Instruction Content	Status	Functions
	Load indication	Normally on	Load is open
		Normally off	Load is off
		Fast twinkling	Overload or short circuit
	warning!	Slow twinkling	Abnormal communication

Installation on a wall

External dimensions: 118.5×118.5×48mm
Installation dimensions: 50×50mm or 70×70mm
Installation hole diameter: ϕ 5(mm)



Parameter

Item	Value
Stand-by power consumption	LCD backlight on <35mA/12V
	LCD backlight off <25mA/12V
Communication interface	RJ12 (6-PIN)
Baud rate	RS232
Communication port	9600BPS
Operating temperature	0.5KG
Product weight	-35°C TO+65°C;
Dimensions	115.82×115.82 (MM) (L×W)