



Travel 503, 1003 S/L,
1003, 1103 CS/CL



Translation of the original operating instructions

Deutsch

English

Foreword

Dear Customer,

We are delighted that you have chosen our motor. Your Torqeedo Travel system delivers cutting-edge drive technology and efficiency.

It has been designed and manufactured with the utmost care and with a special focus on convenience, user-friendliness and safety, and has been extensively tested before delivery.

Please take the time to read this operating manual carefully so that you can use the system properly and enjoy it for a long time.

We constantly strive to improve Torqeedo products. Thus, we welcome your comments on the design and use of our products.

Please feel free to contact us with any product inquiries. All points of contact are listed at the end of this manual. We hope you have a lot of fun with this product.

Your Torqeedo team

Contents

1	Introduction.....	61		
1.1	General information on the instructions.....	61	6.2	Fixing the steering in place.....
1.2	Explanation of symbols.....	61	6.3	Trimming the motor.....
1.3	Layout of the safety information.....	62	6.4	Battery power.....
1.4	About this operating manual.....	62	6.4.1	Charging the battery using the power supply unit.....
1.5	Name plate.....	63	6.4.2	Charging the battery from the onboard power supply.....
2	Registering the device.....	64	6.4.3	Powering a device using the USB supply connection.....
3	Equipment and controls.....	65	6.5	Start-up of the on-board computer.....
3.1	Scope of delivery.....	65	6.5.1	Displays and symbols.....
3.2	Controls and components.....	65	6.5.2	Display settings.....
4	Technical data.....	66	7	Operation.....
4.1	Lithium-ion battery.....	67	7.1	Emergency Stop.....
5	Safety.....	68	7.2	Travel mode.....
5.1	Safety features.....	68	7.2.1	Starting a trip.....
5.2	General safety provisions.....	68	7.2.2	Forward/reverse motion.....
5.2.1	Principles.....	68	7.2.3	Steering.....
5.2.2	Intended use.....	69	7.2.4	Ending the trip.....
5.2.3	Foreseeable misuse.....	69	7.3	Tilting the motor.....
5.2.4	Before use.....	69	8	Disassembling the drive.....
5.2.5	General safety information.....	71	9	Towing/slipping the boat.....
6	Start-up.....	73		
6.1	Installation of the drive to the boat.....	73		

10 Error messages.....	93
11 Care and service.....	96
11.1 Care of the system components.....	96
11.1.1 Corrosion protection.....	96
11.2 Maintenance intervals.....	97
11.2.1 Replacement parts.....	97
11.2.2 Battery maintenance.....	97
11.3 Replacing the propeller.....	98
11.4 Replacing the 503 S/L, 1003 S/L and 1003 CS/CL fin.....	100
12 General conditions of warranty.....	101
12.1 Warranty and liability.....	101
12.2 Scope of warranty.....	101
12.3 Warranty process.....	102
13 Accessories.....	103
14 Disposal and environment.....	105
14.1 Disposal of waste electrical and electronic equipment.....	105
14.2 Disposal of batteries.....	105
15 EC Declaration of Conformity.....	107
16 Copyright.....	109

1 Introduction

1.1 General information on the instructions

These instructions describe all major functions and activities of the Travel system.

This includes:

- Provision of knowledge about structure, functioning, and characteristics of the Travel system.
- Information on possible dangers, their consequences, and on measures to avoid a hazard.
- Detailed instructions for execution of all functions throughout the entire life cycle of the Travel system.

These instructions are intended to make it easier for you to become familiar with the Travel system, and to use it safely in compliance with its intended use.

Every person using the Travel system should read and understand the instructions. For future reference, the instructions must be kept easily available and close to the Travel system at all times.

Ensure that you always use the most recent version of the instructions. The current version of the instructions can be downloaded on the Internet from website www.torqueedo.com under the "Service Centre" tab. Software updates may result in changes to the instructions.

If you follow these instructions carefully, you will be able to:

- Avoid dangers.
- Reduce repair costs and outage times.
- Increase the reliability and service life of the Travel system.

1.2 Explanation of symbols



Magnetic field



Read the instructions carefully



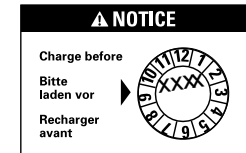
Keep away from cardiac pacemakers and other medical implants – minimum distance 50 cm.



Keep away from magnetic-strip cards (e.g. credit cards) and other magnetically sensitive information carriers – minimum distance 50 cm.



Time for inspection or disposal of the battery.



The battery must be fully charged at the latest by the date specified on the packaging.

1.3 Layout of the safety information

In these instructions, safety information is presented using standardised representation and symbols. Comply with the relevant information. The hazard classes explained are used according to the likelihood of occurrence and the severity of the consequences.

Safety information

DANGER!

Direct hazard with a high risk.
Death or severe physical injuries may result if the risk is not avoided.

WARNING!

Potential hazard with moderate risk.
Death or severe physical injuries may result if the risk is not avoided.

CAUTION!

Hazard with low risk.
Slight or moderate physical injuries or material damage may result if the risk is not avoided.

Information

ADVICE

Mandatory instructions.
User tips and other especially useful information.

1.4 About this operating manual

Instructions

Actions that require several steps are presented in a numbered list. Complete the steps in the correct order.

Example:

1. Action step
2. Action step

The result of an instruction is presented as follows:

- ▶ Arrow
- ▶ Arrow

Lists

Lists without a mandatory sequence are presented as a list of bullet points.

Example:

- Item 1
- Item 2

1.5 Name plate

On each Travel system, there is a name plate for recording key data according to machinery directive 2006/42/EC.



Fig. 36: Travel system name plate

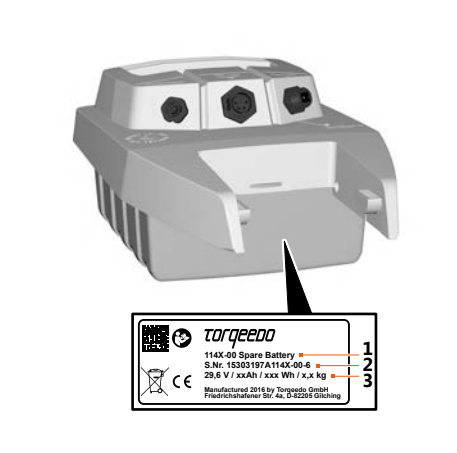


Fig. 37: Battery name plate

- 1 Item number and motor/battery type
- 2 Serial number
- 3 Operating voltage/continuous power/weight

2 Registering the device

You can register your Travel system using the serial numbers; see **Chapter 1.5, "Name plate"**. You can carry out registration free-of-charge via the Torqeedo website: <https://www.torqeedo.com/de/service-center/device-registration.html>.

3 Equipment and controls

3.1 Scope of delivery

- Motor
- Battery
- Tiller
- Magnetic kill switch
- Packaging
- Small fixing pin (for locking the steering)
- Locking pin (to secure the battery)
- Power supply unit with Euro power cable and US power cable
- Operating manual
- Warranty form

3.2 Controls and components



Fig. 38: Tiller



Fig. 39: Battery



Fig. 40: Magnetic kill switch

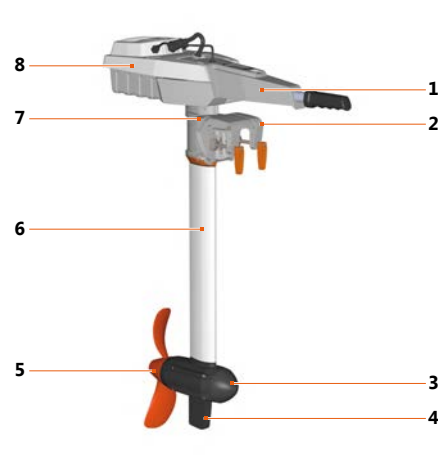


Fig. 41: Overview

- | | | | |
|---|-----------------------------------|---|------------|
| 1 | Tiller with multifunction display | 5 | Propeller |
| 2 | Transom bracket | 6 | Shaft |
| 3 | Pylon | 7 | Tilt lever |
| 4 | Fin | 8 | Battery |

4 Technical data

Type designation	Travel 503 S/L	Travel 1003 S/L	Travel 1003 CS/CL	Travel 1103 CS/CL
Max. input power	500 W	1,000 W	1,000 W	1,100 W
Max. propulsive power	220 W	480 W	480 W	540 W
Max. overall efficiency	44 %	48 %	48 %	49 %
Comparable outboard petrol engine (propulsive power)	1.5 HP	3 HP	3 HP	3 HP
Intended use for boats with total weight up to	0.75 t	1.5 t	1.5 t	1.5 t
Integrated battery	320 Wh Li-ion	530 Wh Li-ion	915 Wh Li-ion	915 Wh Li-ion
Rated voltage	29.6 V	29.6 V	29.6 V	29.6 V
Final charging voltage	33.6 V	33.6 V	33.6 V	33.6 V
Final discharging voltage	24.0 V	24.0 V	24.0 V	24.0 V
Battery operating temperature / storage temperature	-20 °C – +60 °C	-20 °C – +60 °C	-20 °C – +60 °C	-20 °C – +60 °C
Battery charging temperature	0 °C – +45 °C	0 °C – +45 °C	0 °C – +45 °C	0 °C – +45 °C
Shaft length	S: 62.5 cm (24.6 inch) L: 75 cm (29.5 inch)			

Type designation	Travel 503 S/L	Travel 1003 S/L	Travel 1003 CS/CL	Travel 1103 CS/CL
Dimensions (L x W x H)	83.0 x 23.2 x 103.5 (S) / 115.5 (L) cm			83.0 x 23.2 x 101 (S) / 113 (L) cm
Standard propeller (v = speed in km/h) (p = power in Watt)	v9/p790	v9/p790	v9/p790	v10/p1100
Max. propeller rotational speed	700 rpm	1,200 rpm	1,200 rpm	1,450 rpm
Trim levels	0°, 7°, 14°, 21°	0°, 7°, 14°, 21°	0°, 7°, 14°, 21°	0°, 7°, 14°, 21°
Protection class IP67*	Yes	Yes	Yes	Yes

* The Travel system is protected from dirt and water ingress (max. 0.5 hours, max. 1 m).

4.1 Lithium-ion battery

Type designation	Travel 503 battery	Travel 1003 battery	Travel 1003 C battery	Travel 1103 C battery
Capacity	320 Wh	530 Wh	915 Wh	915 Wh
Operating/storage temperature	-20 °C to + 60 °C (-4 °F to 140 °F)			
Storage temperature for storage >3 months	5-15 °C (40-60 °F)			
State of charge for optimal storage	~50 % for storage up to 1 year 100 % for storage longer than 1 year			
Self-discharge rate during optimal storage	3.6 % per month 43 % per year			
Charging time (power supply unit)	3.5 h	6 h	10.5 h	10.5 h
Battery charging temperature	0 °C +45 °C (32 °F to 113 °F)			

5 Safety

5.1 Safety features

Safety features	Function
Magnetic kill switch	Disconnects the energy supply immediately, and switches off the Travel system. The propeller then comes to a stop.
Tiller	Ensures that the Travel system is started only from the neutral position, in order to prevent unintentional start-up of the Travel system.
Electronic circuit-breaker	Protects the motor from overcurrent, overvoltage, and reverse polarity.
Overtemperature protection	Automatic power reduction if the electronics or the motor overheats.
Motor protection	Protects the motor from thermal and mechanical damage if the propeller is blocked, e.g. by contact with the bottom, trapped cords.
Cable breakage protection	Immediate shut-down of the motor in the event of damage to a connection cable.
Acceleration control	Protection of the mechanical drive components and avoidance of brief peak currents by regulation of the rotational speed change of the propeller.

5.2 General safety provisions

ADVICE

- You must read and comply with the safety and warning information in these instructions.
 - Read these instructions carefully before you operate the Travel system.
- Failure to comply with these instructions can result in personal injury or material damage. Torqeedo accepts no liability for damage caused by actions which are contrary to these instructions.

The symbols are explained in detail in **Chapter 1.2, "Explanation of symbols"**.

Particular safety regulations may apply to certain activities. Safety and warning information for these activities is to be found in the relevant sections of the instructions.

5.2.1 Principles

Operate your Travel system in compliance with all local safety and accident prevention regulations.

Before delivery, the Travel system was designed and manufactured with the utmost care and with a special focus on convenience, user-friendliness and safety, and it has been extensively tested.

However, unintended use of the Travel system may result in danger to the user's life and limb or of third parties, in addition to extensive material damage.

5.2.2 Intended use

Drive system for marine crafts.

The Travel system must be operated in chemical-free waterways of sufficient depth.

Intended use also includes:

- The attachment of the Travel system to the attachment points specified for this purpose, and compliance with the specified torque values.
- Compliance with all directions in these instructions.
- Compliance with care and maintenance intervals.
- The exclusive use of original replacement parts.

5.2.3 Foreseeable misuse

Use other than, or going beyond, that defined in **Chapter 5.2.2, "Intended use"** is deemed to be unintended use. The operator bears the sole responsibility for damage arising from unintended use, and the manufacturer accepts no liability whatsoever.

Amongst others, the following are deemed to be unintended use:

- Operation of the propeller out of the water.
- Operation in waterways into which chemicals have been released.
- The use of the Travel system outside of marine crafts.
- Any modification to the product.

5.2.4 Before use

WARNING!

**Danger to life from a boat which is not manoeuvrable!
This can result in severe physical injuries or death.**

- Before starting a trip, inform yourself of the intended travel area, and take note of the predicted weather and water conditions.
 - Depending on the size of the boat, keep the typical safety equipment ready (anchor, paddles, means of communication, auxiliary drive if necessary).
 - Check the system for mechanical damage before setting out on a trip.
 - Do not use the system unless it is in proper working order.
-
- The Travel system may be handled only by appropriately qualified persons who have the necessary physical and mental aptitude. Comply with the relevant national regulations.
 - As the operator of the boat, you are responsible for the safety of the people on board, and for all marine craft and persons in your vicinity. It is therefore essential that you comply with the basic rules of conduct of navigation, and that you read these instructions thoroughly.
 - Particular care is required when people are in the water, even if the boat is moving at a slow speed.
 - Comply with the boat manufacturer's instructions regarding the permitted motorisation of your boat. Do not exceed the stated loading and power limits.
 - Check the status and all functions of the Travel system (including Emergency Stop) at low power before every trip, see **Chapter 11.2, "Maintenance intervals"**.
 - Become familiar with all controls of the Travel system. Above all, you should be capable of stopping the Travel system quickly if necessary.

- In case of motor malfunctions, an error code appears on the display. After the error has been eliminated, the motor can be continued to be driven from the neutral setting in most cases. See descriptions and details in **Chapter 10, "Error messages"**.
 - In the event of a person going overboard, stop the motor immediately.
 - Observe the manufacturer's instructions and/or the instructions for use when charging.
 - Use the prescribed charger unit.
 - Never use a battery that is not intended or designed for this device.
 - Do not mix cells or use cells from different manufacturers, of different capacity, size or type within a single device.
 - Remove the battery from the device when it is not in use.
 - Do not remove the battery from its original packaging until it is to be used.
 - Clean the contacts on the battery and the device before installing the battery.
 - Cells and batteries must not come into contact with solvents e.g. thinners, alcohol, oil, anti-rust products, or agents which attack surfaces, e.g. detergents.
 - Do not expose the battery to mechanical shocks.
 - Do not open the battery housing.
 - Protect the battery from mechanical damage. In case of damage to the battery housing, do not use or charge the battery any more.
 - Charge the battery to 100 % before use.
 - Do not charge the battery over a longer period of time if it is not needed.
 - Always charge the battery under the supervision of an adult and on a fire-proof surface.
 - Charge the battery at an ambient temperature between 0 °C and 45 °C.
 - Keep the battery away from children.
 - Do not store the battery in a location exposed to rain. High temperatures and humidity can lower the insulation resistance and lead to self-discharge and corrosion on the surface.
 - Do not take the risk of storing batteries or cells in a box or drawer in which they can short-circuit each other or be short-circuited by other conductive materials.
- Note that lithium-ion batteries having a capacity of > 100 Wh have not been allowed to be carried as luggage on passenger planes since 2009. Your motor's battery exceeds the specified value and must not be carried in hand luggage or check-in luggage.
 - The battery is declared as dangerous goods as per UN Class 9. It must be delivered by the transport company in the original packaging. This does not apply to private transport. During private transport, be careful not to damage the battery housing.
 - The motor unit must be taken out of the water if the boat is driven by other means (towing, sailing, using other motors) to prevent damage to the electronics.
 - Note that the motor automatically reduces its speed at full throttle at high ambient temperatures to prevent the battery from overheating. This is indicated by a flashing thermometer symbol on the display (overheat protection mode).
 - The shaft seals which seal the motor to the gear shaft may be damaged if the motor is operated out of the water for longer periods of time. There is risk of overheating the motor.

5.2.5 General safety information

DANGER!

Risk of fatal electric shock!
Contact with uninsulated or damaged parts can result in death or severe physical injuries.

- Do not use damaged power supply units.
- Do not undertake any repair work whatsoever on the Travel system yourself.
- Never touch frayed or severed wiring, or obviously defective components.
- If you suspect a problem, switch off the Travel system immediately, and do not touch any metal components.
- Prevent the electronic components from coming into contact with water.
- Prevent strong mechanical forces from working on the batteries and cables of the Travel system.

DANGER!

Risk of explosion due to formation of oxyhydrogen gas!
Death or severe physical injuries may result.

- In case the battery is submerged more than one meter under water for a short period of time, contact Torqeedo Service and do not attempt to recover the battery.
- If the battery has been submerged in shallow water (<1 meter) for a more than 30 minutes, contact Torqeedo Service and do not attempt to recover the battery.

DANGER!

Risk of death from fire!
The use of third-party charger units can cause fires.

- Always use the power supply unit supplied by Torqeedo.

DANGER!

Risk of death from lithium fire!
Death or severe physical injuries may result.

- A lithium fire cannot be extinguished using water; if possible, smother the fire with sand.
- Use water to cool the battery and to prevent the fire from spreading.
- Move the battery to a position in which it causes the least amount of damage possible.

DANGER!

Risk of death from electromagnetic radiation!
Death or severe physical injuries may result.

- Persons fitted with cardiac pacemakers must maintain a distance of at least 50 cm from the motor and the magnetic kill switch.

WARNING!

Danger to life from a boat which is not manoeuvrable!
This can result in severe physical injuries or death.

- Before starting a trip, inform yourself of the intended travel area, and take note of the predicted weather and water conditions.
- Depending on the size of the boat, keep the typical safety equipment ready (anchor, paddles, means of communication, auxiliary drive if necessary).
- Check the system for mechanical damage before setting out on a trip.
- Do not use the system unless it is in proper working order.

⚠ WARNING!

Mechanical hazard from rotating components!
This can result in severe physical injuries or death.

- Do not wear jewellery or loose clothing in the vicinity of the drive shaft or the propeller. Tie up long, loose hair.
- Switch off the Travel system when there are people in the immediate vicinity of the drive shaft or the propeller.
- Do not carry out maintenance or cleaning work on the drive shaft or propeller if the Travel system is engaged.
- Operate the propeller only when it is under water.

⚠ WARNING!

Danger to life from overestimating the remaining range.
This can result in severe physical injuries or death.

- Before starting a trip, make yourself familiar with the travel area, because the range displayed on the onboard computer does not take wind, current, and direction of travel into account.
- Build in a sufficient buffer for the necessary range.

⚠ CAUTION!

Danger of burns from hot surfaces or liquids.
Slight or moderate physical injuries may result.

- Use appropriate personal protective equipment.
- Do not touch the drive components or batteries of the Travel system immediately after use.
- Allow the Travel system to cool down before working in the immediate vicinity.

⚠ CAUTION!

Danger of crushing if motor tilts.
Minor or moderately severe physical injuries may result.

- When tilting the motor, ensure that no-one is present in the vicinity of the motor.
- Do not reach into the mechanical parts when tilting the motor.

⚠ CAUTION!

Rare danger of battery leaking electrolyte gases!
Minor or moderately severe physical injuries may result.

- Avoid skin contact.
- Do not inhale the expelled gases.
- Immediately rinse the affected area of the body with clean water. Immediately visit a doctor.

6 Start-up

6.1 Installation of the drive to the boat

⚠ CAUTION!

**Danger of crushing when components are inserted!
Minor or moderately severe physical injuries may result.**

- Never put hands or fingers between the components.

ADVICE

Ensure that you have steady footing when installing the outboard. Connect the tiller and the battery only after installing the drive onto the boat.

Outboard installation

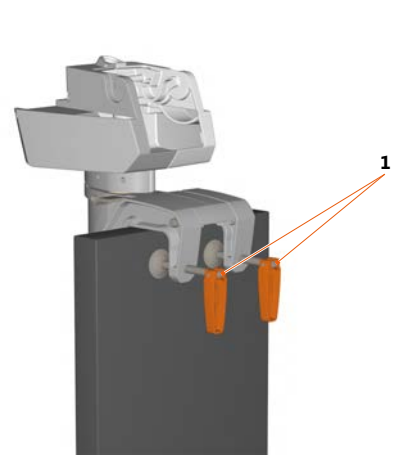


Fig. 42: Transom clamp bolts

1 Transom clamp bolts

1. Place the outboard on the transom of the boat.
2. Fasten the outboard to the transom of the boat using the two transom clamp bolts (1) and tighten the bolts.
3. Check that the outboard is fitted securely.

Locking the battery

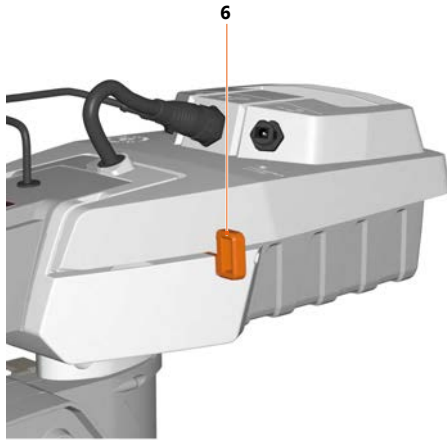


Fig. 45: Locking pin

6 Locking pin

1. Push the locking pin (6) in to fix the battery in place (4).
2. Check that the battery (4) and tiller (3) are securely fitted.

Cable connections

ADVICE

- Do not use excessive force when plugging in the cables, since this may bend the pins.
- The union nut on the plugs must be put on straight in order to prevent damage to the thread during tightening.

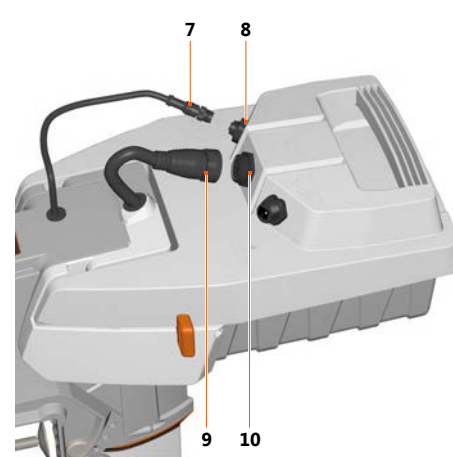


Fig. 46: Electrical connections

- | | | | |
|---|-------------------------|----|-----------------------|
| 7 | Tiller cable | 9 | Motor cables |
| 8 | Tiller cable connection | 10 | Motor cable connector |

1. Connect the motor cable (9) to the motor cable connector (10).
2. Tighten the union nut on the motor cable.
3. Connect the tiller cable (7) to the tiller cable connector (8).
4. Tighten the union nut of the tiller cable.

6.2 Fixing the steering in place

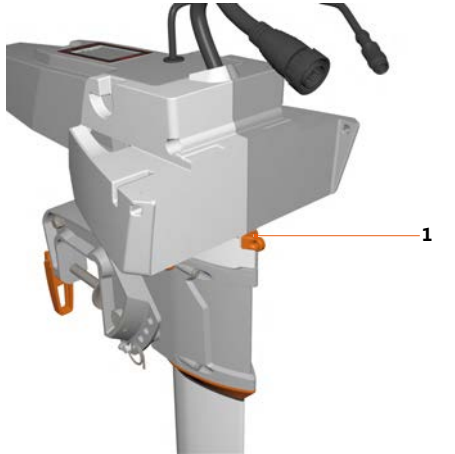


Fig. 47: Small fixing pin position

- 1 Small fixing pin

The small fixing pin (1) can be used to prevent the motor from making steering movements. The boat can then be steered via the rudder (e.g. with sailboats). Locking the steering is optional.

1. Remove the battery.
2. Push the small fixing pin (1) into the opening provided for it.
3. Install the battery, see **Chapter 6.1, "Installation of the drive to the boat"**.

6.3 Trimming the motor

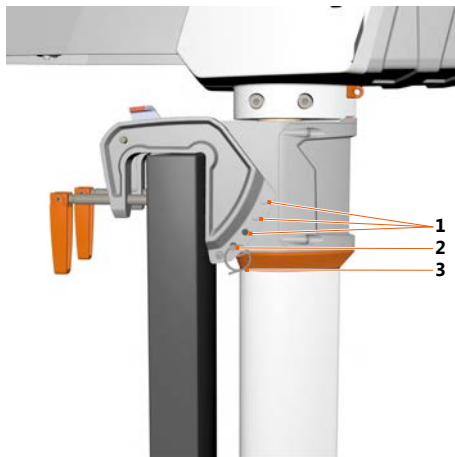


Fig. 48: Trimming positions

- | | |
|--|------------------------------|
| 1 Additional trimming positions | 3 Securing cotter pin |
| 2 Trim rod | |

Trimming allows the motor to be positioned optimally relative to the water surface. For this purpose, four trimming positions (1) are available.

In order to position the motor optimally relative to the water surface, proceed as follows:

1. Tilt the motor upwards, see **Chapter 7.3, "Tilting the motor"**.
2. Remove the securing cotter pin (3) of the trim rod (2), and pull the trim rod (2) out of the transom bracket.
3. Insert the trim rod (2) in the desired trimming position (1) of the transom bracket.
 - ▶ The trim rod (2) must be pushed through both side walls of the transom bracket.
4. Fix the trim rod (2) using the securing cotter pin (3).

6.4 Battery power

ADVICE

The charger unit connection must be sealed off using the provided cap if charging is not taking place.

ADVICE

The battery and power supply unit must not be covered during the charging process.

ADVICE

Charge the battery to 100 % before first use, or after a storage period of several months, in order to calibrate the charge status display. 99 % charge is not sufficient for calibration.

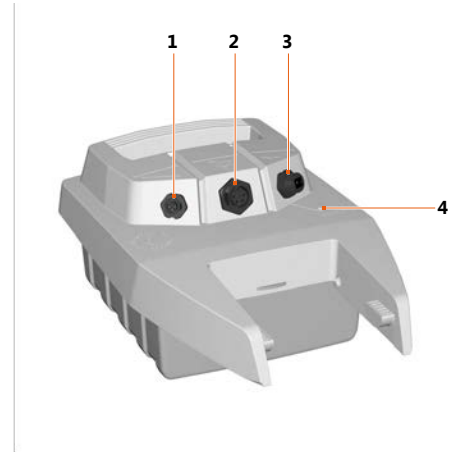


Fig. 49: Battery overview

- | | | | |
|---|-----------------------|---|-----------------------------|
| 1 | Tiller connection | 3 | Charger unit connection |
| 2 | Motor unit connection | 4 | Charge status display light |

The batteries of models 503 S/L, 1003 S/L and 1003/1103 CS/CL differ in their capacity. All motors can be operated using the three different batteries. You will find further information in **Chapter 4.1, "Lithium-ion battery"**.

Travel 1003/1103 motors are reduced in power by 50 % when using the 320 Wh battery. The lithium-ion battery is very insensitive to charging cycles (1 cycle = discharge and recharge). After the battery has been discharged 500 times its full capacity, the cells lose approximately 20 % of their capacity (e.g. after 500 complete discharges, 1,000 50 % discharges or 2,000 25 % discharges). This indication for the operating life, however, applies only under normal conditions (particularly with respect to an ambient temperature of approx. 20 °C). The battery has no memory effect.

The battery can be charged during use (charge and discharge at the same time). The power display shows only the power being drawn from the battery in this case. If the charging current is greater than the current drawn by the motor, the power display shows 0 W and the battery is being charged. The charge status display takes into account the charging current as well as the current drawn by the motor.

6.4.1 Charging the battery using the power supply unit

1. Connect the power supply unit to the socket and the charger unit connector (3).
 - ▶ The charge status display light (4) flashes.
2. The charging process is complete as soon as the charge status display light (4) comes on all the time.

For more detailed information, the tiller can be connected to the battery during the charging process. In this case, the display shows the **Charging** function as well as the state of charge in percent.

6.4.2 Charging the battery from the onboard power supply

- Charge using a DC power supply in the range of 9.5 V to 50 V.
The DC power supply must be able to provide at least 4 A.
- Use the Torqeedo 12/24 V charging cable (item number 1128-00) for charging.

6.4.3 Powering a device using the USB supply connection

ADVICE

- The USB adapter must not be exposed to any (lever) forces.
 - The USB adapter must be protected from water.
 - The USB adapter must be removed when not in use.
-
- You can charge USB-compatible devices using the provided adapter.
 - The output voltage is 5 V, and the maximum output current is 1 A.
 - The charging current for smartphones is 1 A according to the Apple™ standard.

1. Plug the adapter into the charging socket and tighten the union nut.
2. Plug your device's USB-A plug into the adapter.
3. Switch on the battery via the tiller.

The device will be powered for up to four hours after the display switches off.

6.5 Start-up of the on-board computer

6.5.1 Displays and symbols

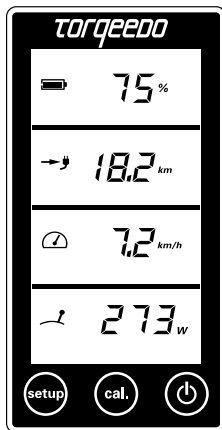


Fig. 50: Multifunction display

The tiller is fitted with an integrated display or onboard computer and three buttons.

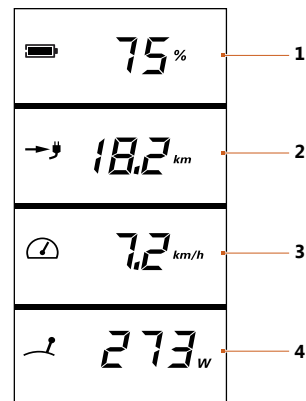


Fig. 51: Overview of multifunction display

- | | | | |
|---|----------------------------------|---|------------------------------------|
| 1 | Battery charge state in percent | 3 | Speed over the ground |
| 2 | Remaining range at current speed | 4 | Present power consumption in Watts |

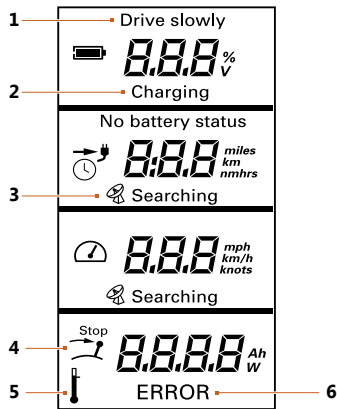


Fig. 52: Multifunction display – Set-up menu

- | | |
|-----------------|---------------|
| 1 Drive slowly | 4 Stop |
| 2 Charging | 5 Temperature |
| 3 GPS searching | 6 Error |

Drive slowly (1)

Displayed when the battery capacity is <30 %. Three beeps will sound. The beep will sound again once the state of charge drops below 20 % and 10 %.

Charging (2)

Displayed during charging.

GPS**searching (3)**

The integrated GPS module searches for satellite signals in order to calculate speed. If no GPS signal is received, then the second field of the display continuously shows the "Remaining run time at current speed" (time value) and a clock symbol. If the remaining run time is greater than 10 hours, then the remaining run time is displayed in complete hours. If it is less than this, then hours and minutes are displayed.

The GPS module stops searching if no signal is received for five minutes. In order to reactivate the search, the system must be switched off and on again using the On/Off button.

Stop (4)

This symbol appears if the tiller handle needs to be placed in the neutral position. This is necessary before you can move off.

Temperature (5)

This symbol appears in case of excess temperature of the motor or battery. In this case, the motor itself reduces the power independently.

Error (6)

In the event of an error, the **Error** symbol appears in the bottom box, and an error code is displayed. The code indicates the component which triggered it, and also the component error. Details of the error codes are found in **Chapter 10, "Error messages"**.

6.5.2 Display settings

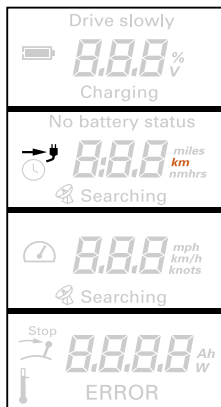


Fig. 53: Multifunction display – Set-up menu

In the Set-up menu, you can select the units to be displayed on screen (in orange).

1. Press the Set-up button in order to access the Set-up menu.
2. Use the CAL button to set the unit in which the remaining range is to be displayed.
 - ▶ You can select between kilometres, American miles, sea miles, and hours.
3. Confirm your selection using the Set-up button.
 - ▶ The setting for the speed display is shown.
4. Use the CAL button to set the unit in which the speed is to be displayed.
 - ▶ You can select between kilometres per hour, miles per hour, and knots.
5. Confirm your selection using the Set-up button.
 - ▶ The setting for the battery status display is shown.
6. Use the CAL button to set the unit in which the battery status is to be displayed.
 - ▶ You can select between Volts and percent.
7. Confirm your selection using the Set-up button.

7 Operation

WARNING!

**Danger to life from a boat which is not manoeuvrable!
This can result in severe physical injuries or death.**

- Before starting a trip, inform yourself of the intended travel area, and take note of the predicted weather and water conditions.
- Depending on the size of the boat, keep the typical safety equipment ready (anchor, paddles, means of communication, auxiliary drive if necessary).
- Check the system for mechanical damage before setting out on a trip.
- Do not use the system unless it is in proper working order.

WARNING!

**Danger to life from overestimating the remaining range.
This can result in severe physical injuries or death.**

- Before starting a trip, make yourself familiar with the travel area, because the range displayed on the onboard computer does not take wind, current, and direction of travel into account.
- Build in a sufficient buffer for the necessary range.

ADVICE

Always take the motor out of the water after use. This can be achieved by tilting the motor.

7.1 Emergency Stop

⚠ DANGER!

**Risk of death if the Emergency Stop is not triggered!
Death or severe physical injuries may result.**

- Attach the cord on the magnetic kill switch to the skipper's wrist or to his life jacket.

⚠ DANGER!

**Risk of death from electromagnetic radiation!
Death or severe physical injuries may result.**

- Persons fitted with cardiac pacemakers must maintain a distance of at least 50 cm from the motor and the magnetic kill switch.

ADVICE

- Test the functioning of the Emergency Stop switch at low motor power before every trip.
- In emergency situations, actuate the Emergency Stop immediately.
- At high power, use the Emergency Stop only in emergency situations. Repeated actuation of the Emergency Stop switch at high power stresses the Travel system, and can cause damage to the battery electronics.

ADVICE

The magnetic kill switch can delete magnetic data media (especially credit cards, bank cards, etc.). Keep the magnetic kill switch away from credit cards and other magnetic data media.

There are various options for stopping the Travel system rapidly:

- Place the tiller in the Stop position.
- Pull off the magnetic kill switch.
- Remove the motor cable from the battery.

ADVICE

If you have pulled out the magnetic kill switch, you must first bring the tiller handle to the neutral position before continuing your trip. Then place the magnetic kill switch in position. After a few seconds you can continue your trip.

7.2 Travel mode

7.2.1 Starting a trip

ADVICE

- If there is visible damage to components or cables, the Travel system must not be switched on.
- Ensure that all people on board wear a life jacket.
- Before starting, attach the lanyard of the Emergency Stop to the skipper's wrist or life jacket.
- The state of charge of the battery must be checked at intervals while on the move.

ADVICE

During breaks in a trip, if there are swimmers near the boat while at anchor: remove the magnetic kill switch in order to avoid unintentionally starting the Travel system.

1.



Fig. 54: On/Off button

2.

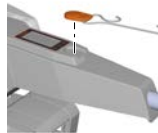


Fig. 55: Magnetic kill switch

Starting the motor

1. Switch the motor on by pressing the On/Off button (1) for one second.
2. Place the magnetic kill switch on the tiller.

7.2.2 Forward/reverse motion

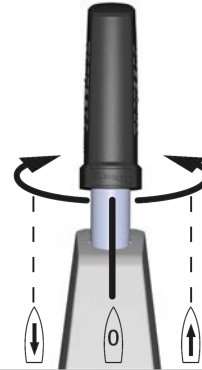


Fig. 56: Tiller

1. Operate the tiller handle as follows:

- Turn the tiller handle to the right.
 - ▶ Forward drive
- Turn the tiller handle to neutral position.
 - ▶ Neutral position
- Turn the tiller handle to the left.
 - ▶ Motion reverse

7.2.3 Steering

1. Operate the tiller handle as follows:
 - Tilt the tiller to starboard.
 - ▶ The boat turns left.
 - Tilt the tiller to port.
 - ▶ The boat turns right.
 - Hold the tiller straight.
 - ▶ The boat moves straight forwards.

7.2.4 Ending the trip

Switching the motor off



Fig. 57: Magnetic kill switch

1. Move the tiller to the neutral position.
2. Push and hold the On/Off button for three seconds.
3. Remove the magnetic kill switch.

You can switch the motor off in any operating condition. The Travel system switches off automatically when inactive.

Proceed as follows after every use:

- Take the motor out of the water.
- In salt water or brackish water: Rinse the motor in fresh water.

7.3 Tilting the motor

⚠ CAUTION!

**Danger of crushing if motor tilts.
Minor or moderately severe physical injuries may result.**

- When tilting the motor, ensure that no-one is present in the vicinity of the motor.
- Do not reach into the mechanical parts when tilting the motor.

Grounding protection

ADVICE

The auto kick-up setting protects the motor in the event of grounding. It provides no guarantee that potential grounding will not cause damage to the propeller or even the motor. This applies particularly in the event of grounding on stones or rock.

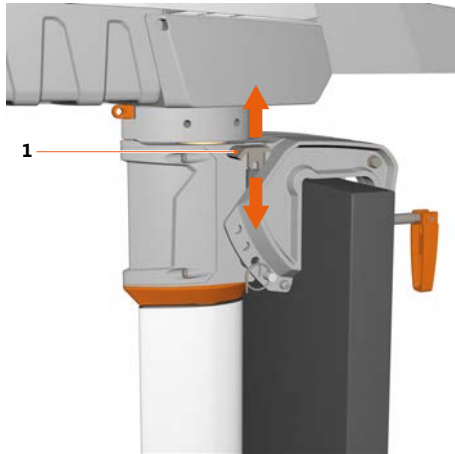


Fig. 58: Tilt lever

1 Tilt lever

The tilt lever (1) allows the motor to be tilted up in the event of grounding when it is in the tilt/auto kick-up position (lever up). In this position, reversing and braking are not possible.

In the Lock position (lever down), automatic tilting up is switched off. Reversing is possible.

Tilting up the motor

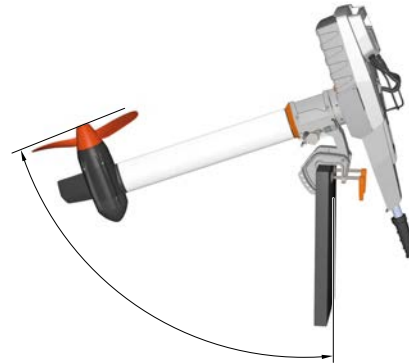


Fig. 59: Tilting position

1. Set the tilt lever (1) to the Tilt / Auto kick-up position (lever up).
2. Grasp the Travel system's battery handle and tilt the motor unit up to the stop.
 - ▶ The tilt lever locks in position.
3. Ensure that the motor unit is locked in position.

ADVICE

Ensure that the tilted motor does not turn in an uncontrolled manner in order to prevent damage to the battery, tiller or the boat.

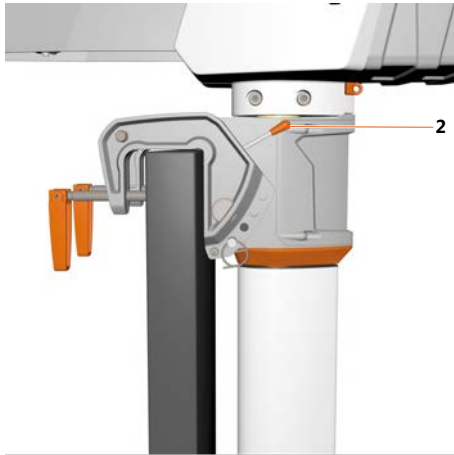
Tilting the motor down

Fig. 60: Travel 1103 locking lever

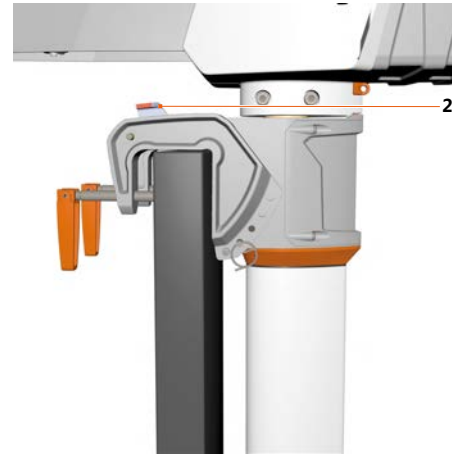


Fig. 61: Travel 503/1003 locking lever

2 Locking lever

1. Lift the motor and release the locking lever (2).
2. Slowly tilt the motor down.

8 Disassembling the drive



Fig. 62: Locking pin

1 Locking pin

1. Move the tiller to the neutral position and remove the magnetic kill switch from the tiller.
2. Switch off the motor.
3. Remove the locking pin (1).

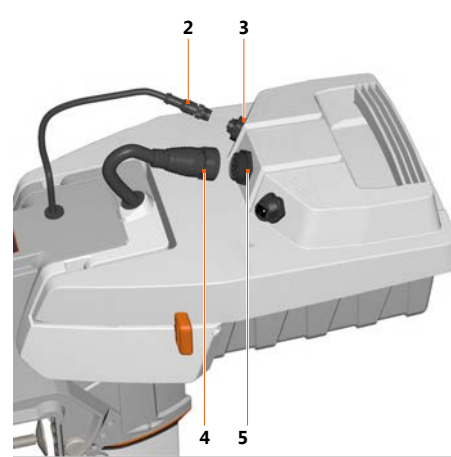


Fig. 63: Electrical connections

- | | |
|---------------------------|-------------------------|
| 2 Tiller cable | 4 Motor cables |
| 3 Tiller cable connection | 5 Motor cable connector |
4. Disconnect all electric connections (2, 4) between tiller, battery and motor.

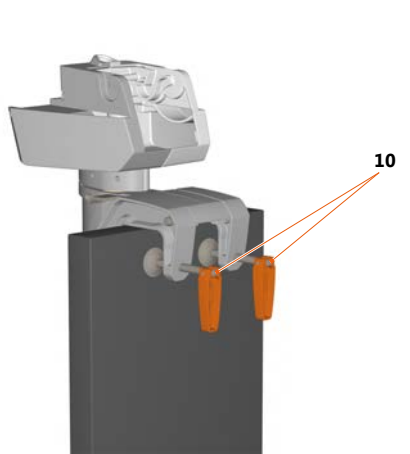


Fig. 66: Transom clamp bolts

10 Transom clamp bolts

7. Remove the transom clamp bolts (10) from the transom bracket.
8. Remove the motor from the transom of the boat.

9 Towing/slipping the boat

ADVICE

The motor must not be attached to the boat's transom during towing and must not be towed in tilted position.

ADVICE

The motor must not be attached to the boat's transom during slipping and must not be slipped in tilted position.

When the boat is towed/slipped, the motor must always be removed; see **Chapter 8, "Disassembling the drive"**.

Comply with the applicable national regulations for towing/slipping boats.

10 Error messages

Drive system

Display	Cause	What to do
E02	Stator excess temperature (motor overheated)	After waiting for a short period (approx. ten minutes), the motor can be operated slowly again. Contact Torqeedo Service.
E05	Motor/propeller blocked	<ol style="list-style-type: none">1. Move the main switch to the "OFF" position.2. Disconnect the battery connection.3. Release the blockage.4. Turn the propeller one more turn by hand.5. Reconnect the battery to the system.
E06	Voltage to motor is too low	Battery state of charge low; motor may possibly continue to be driven slowly from the neutral position.
E07	Overcurrent to motor	Continue at reduced power. Contact Torqeedo Service.
E08	Circuit board excess temperature	After waiting for a short period (approx. ten minutes), the motor can be operated slowly again. Contact Torqeedo Service.

Display	Cause	What to do
E21	Incorrect calibration of tiller	Recalibrate: <ol style="list-style-type: none"> 1. Press and hold the CAL button for ten seconds. <ul style="list-style-type: none"> ▶ cal up appears on the display. 2. Set the tiller to full throttle forwards. 3. Press the CAL button. <ul style="list-style-type: none"> ▶ cal stp appears on the display. 4. Set the tiller to the neutral position. 5. Press the CAL button. <ul style="list-style-type: none"> ▶ cal dn appears on the display. 6. Set the tiller to full throttle reverse. 7. Press the CAL button.
E22	Magnetic sensor defective	Recalibrate; see "E21" . If the error code appears several times, then contact Torqeedo Service.
E23	Value range incorrect	Recalibrate; see "E21" .
E30	Communication error with motor	Check the cables and the plug connections of the data cables. Clean the contacts using contact spray. If necessary, contact Torqeedo Service and tell them the error code.
E32	Tiller communication error	Check the plug connections on the tiller. Clean the contacts using contact spray. Check the cable.

Display	Cause	What to do
E33	General communication error	Check the plug connections on the cables. Check the cables. Clean the contacts using contact spray. Switch the motor off and on again.
E41/ E42	Incorrect charging voltage	If this error occurs despite the use of a Torqeedo power supply unit, contact Torqeedo Service.
E43	Battery flat	Charge the battery. It may be possible to restart the motor slowly from the neutral position.
E45	Battery overcurrent	Switch the motor off and on again. The battery has switched off due to excessive current draw. Check whether the propeller rotates freely. Contact Torqeedo Service.
E46	Battery operating temperature error	Battery cells are outside the operating temperature range of -20 °C to +60 °C. It is possible to operate the motor again after the temperature has stabilised.
E48	Charging temperature error	Let the battery cool down. Charging continues when the cell temperature is between 0 °C and +45 °C.
Other error codes	Defect	Contact Torqeedo Service and provide error code. Check power source, main fuse, and main switch. If power supply is working correctly: Contact Torqeedo Service.
Nothing is shown on display		If power supply is working correctly: Contact Torqeedo Service.

11 Care and service

ADVICE

Maintenance tasks must be carried out exclusively by qualified specialist personnel. Contact Torqeedo Service or an authorised Service Partner.

Before maintenance or cleaning tasks, ensure the following:

- The magnetic kill switch must be disconnected.

11.1 Care of the system components

⚠ WARNING!

Danger of injury from propeller!
Moderate or severe physical injuries may result.

- When working on the propeller, always switch the system off at the main switch.
- Pull out the magnetic kill switch.
- Pull out the motor cable.

The surfaces of the motor can be cleaned with commercially available cleaning agents; the plastic surfaces can be treated with vinyl cleaner.

For cleaning the motor, any cleaning agent suitable for plastic may be used as per the manufacturer's instructions. Commercially available vinyl cleaners used for cars achieve a good effect on the plastic surfaces of the Travel system.

Use a contact spray every two months to maintain all electronic contacts (plugs).

The shaft seals must be replaced after five years of operation. Contact an authorised Service Centre for this purpose.

11.1.1 Corrosion protection

A high level of corrosion resistance was ensured when selecting the materials. As is usual for maritime products in the leisure sector, most of the materials incorporated into the Travel system are classed as sea-water-resistant, not sea-water proof.

Do the following to prevent corrosion:

- Store the motor only when it is dry.
- Regularly apply a suitable contact spray (e.g. Wetprotect) to cable contacts, data sockets, and data plugs.
- Regularly regrease the threads on the transom clamp bolts (e.g. with LiquiMoly).
- Have corrosion and paintwork damage corrected by a specialist if it occurs.
- After use in salt water, rinse the motor and fresh water.
- If you use the Travel system in salt water, you must also buy zinc anodes.

11.2 Maintenance intervals

Service is to be performed in a five-year cycle (private use) by Torqeedo Service or authorised Service partners.

Service activities	Before each use	Every 6 months or after 100 operating hours	Every 5 years or after 700 operating hours (whichever occurs first)
Galvanic anodes		<ul style="list-style-type: none"> ■ Visual inspection ■ Replace as complete sets, if required 	

11.2.1 Replacement parts

ADVICE

For information on replacement parts and their installation, contact Torqeedo Service or an authorised Service partner.

11.2.2 Battery maintenance

⚠ CAUTION!

Damage to the battery due to deep discharging!
Storing the battery with a state of charge below 20 % can result in deep discharging.

- Make sure the state of charge always remains ~ 50 % during storage.

ADVICE

It is important for the operating life of your battery for it to not be permanently exposed to excessive heat. In case of longer storage times, it should be stored in a cool location if possible.

ADVICE

Using the motor in a hot climate or at high daytime temperatures is unproblematic. After use, the battery should be taken out of the sun.

Monitor the state of charge of the battery in case of longer storage times:

Storage	State of charge
Up to 1 year	50 %
Over 1 year	100 %

When stored for multiple years, the battery's state of charge should be recharged once a year to prevent deep discharging.

11.3 Replacing the propeller

⚠ WARNING!

Mechanical hazard from rotating components!
This can result in severe physical injuries or death.

- Do not wear jewellery or loose clothing in the vicinity of the drive shaft or the propeller. Tie up long, loose hair.
- Switch off the Travel system when there are people in the immediate vicinity of the drive shaft or the propeller.
- Do not carry out maintenance or cleaning work on the drive shaft or propeller if the Travel system is engaged.
- Operate the propeller only when it is under water.

⚠ CAUTION!

Danger of injury from propeller!
There is risk of cut wounds.

- Wear protective gloves.

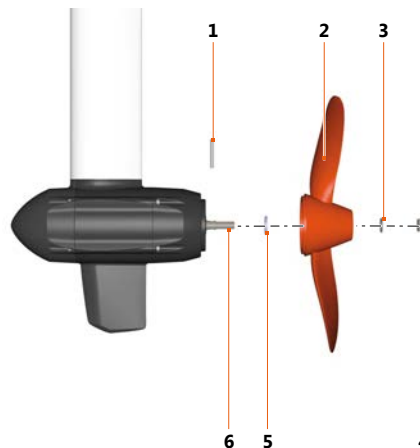


Fig. 67: Travel 1103 propeller attachment

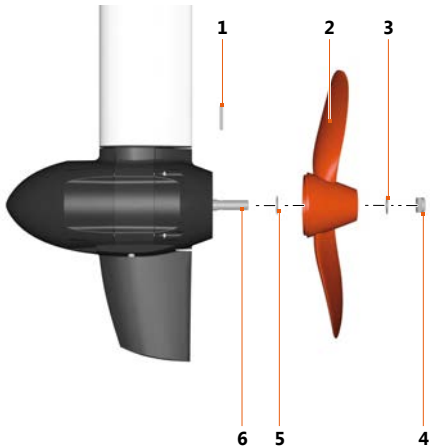


Fig. 68: Travel 503/1003 propeller attachment

- | | |
|-------------------|-----------------|
| 1 Cylindrical pin | 4 Hexagonal nut |
| 2 Propeller | 5 Inner washer |
| 3 Outer washer | 6 Motor shaft |

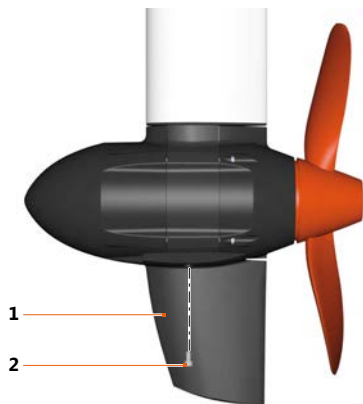
1. Remove the cable between motor and battery.
2. Remove the hexagonal nut (4) using a size 17 (1/4") socket wrench.
3. Remove the outer washer (3).
4. Disconnect the propeller (2) from the motor shaft (6).
5. Pull off the cylindrical pin (1) and the inner washer (5) from the motor shaft (6).
6. Connect the cable between motor and battery.

7. Check that the motor shaft (6) runs smoothly.
8. Remove the cable between motor and battery.
9. Place the inner washer (5) onto the motor shaft (6).
 - ▶ The washer is in contact with the motor shaft collar.
10. Push the new cylindrical pin (1) into the motor shaft (6) centrally.
11. Push the new propeller (2) onto the motor shaft (6) up to the stop.
12. Rotate the groove of the propeller (2) until it is congruent with the cylindrical pin (1).
13. Place the outer washer (3) onto the motor shaft (6) behind the propeller (2).
 - ▶ The outer edge of the washer is in contact with the propeller.
14. Hand-tighten the hexagonal nut (4) (13 Nm).

11.4 Replacing the 503 S/L, 1003 S/L and 1003 CS/CL fin

ADVICE

Only the fins of the 503 S/L, 1003 S/L and 1003 CS/CL can be replaced.
The 1103 CS/CL fin is made of aluminium and fixed to the motor pylon. It cannot be replaced.



1. Release the screws (2) on the fin (1).
2. Remove the fin (1).
3. Insert the new fin (1).
4. Fasten the fin (1) using two screws (2).

Fig. 69: Fin

1 Fin

2 Screw

12 General conditions of warranty

12.1 Warranty and liability

The statutory warranty runs for 24 months and includes all components of the Travel system.

The warranty period starts from the day of delivery of the Travel system to the end customer.

12.2 Scope of warranty

The warranty terminates two years from the day of handover of the product to the end customer. Products used – even temporarily – for professional or official purposes are excluded from the two year warranty. For these, a 12-month warranty applies. The warranty claim expires six months after the discovery of the defect.

Torqueedo decides whether defective parts are repaired or replaced. Distributors and dealers who carry out repair work on Torqueedo motors have no power to make legally binding statements on behalf of Torqueedo.

Wearing parts and routine maintenance are excluded from the warranty.

Torqueedo has the right to refuse warranty claims if

- the warranty was not submitted correctly (especially failure to make contact before dispatching goods under complaint, absence of a fully completed warranty form and of proof of purchase; see warranty process).
- the product has been used in a manner contrary to instructions.
- the safety, operating, and care information in the instructions were not followed.
- prescribed maintenance intervals were not complied with and documented.

- the purchased item was in any way converted, modified, or equipped with parts or accessory items which are not expressly authorised by Torqueedo or which do not form part of recommended equipment.
- previous maintenance or repair was undertaken by companies not authorised by Torqueedo, or parts other than original replacement parts were used. This applies unless the end customer can prove that the circumstances resulting in the refusal of the warranty claim have not encouraged the progress of the defect.

In addition to the claims arising from this warranty, the end customer has statutory warranty rights arising from his purchase contract with the relevant dealer; these are not restricted by this warranty.

12.3 Warranty process

It is a prerequisite that the warranty process described below is followed for the fulfilment of warranty claims.

For the problem-free handling of warranty cases, we request that the following instructions are complied with:

- In the event of a claim, please contact Torqeedo Service. The service representative will give you an RMA number if necessary.
- Please have your proof of purchase and a completed warranty form ready so that Torqeedo Service can process your claim. The printed template for the warranty form is attached to these instructions. The information in the warranty form must include contact details, details of product under claim, serial number, and a brief description of the problem.
- Should it be necessary to transport products to Torqeedo Service, please note that inappropriate transport is not covered by guarantee or warranty.

For queries regarding the warranty process, we can be contacted by means of the details given on the back page.

13 Accessories

Item no.	Product	Description
1147-00	Travel spare battery, 530 Wh	High-performance lithium battery with integrated GPS receiver, 530 Wh, 29.6 V, 18 Ah. For all Travel 503/1003/1103 models
1148-00	Travel spare battery, 915 Wh	High-performance lithium battery with integrated GPS receiver, 915 Wh, 29.6 V, 31 Ah. For all Travel 503/1003/1103 models
1917-00	Spare propeller v9/p790	For the Travel 1003 C models and Travel 503 models from 2014 onwards
1972-00	Propeller v10/p1100	For the Travel 1103 C models, resistant to fouling
1973-00	Spare propeller v10/p1100	Standard propeller for the Travel 1103 C models
1918-00	Accelerator lever for Travel 503/1003/1103	Allows start-up with accelerator lever instead of tiller for the Travel 503/1003/1103 models, including integrated display providing information on the battery status, GPS-based speed and range calculation, including 1.5-m and 5-m connection cables between motor and accelerator lever.
1919-00	Long tiller arm	Longer tiller pipe, 60 cm
1920-00	Travel and Ultralight motor cable extension, 2 m	Allows for a greater distance between battery and motor
1921-00	Cable extension for accelerator lever, 1.5 m	Allows for a greater distance between tiller and battery
1922-00	Cable extension for accelerator lever, 5 m	Allows for a greater distance between tiller and battery
1925-00	Travel bags (two-part)	For transport / storage of Travel 503/1003/1103 models. Scope of delivery: a bag for the motor (including tiller and accessories) and a bag for the battery
1926-00	Travel battery bag	For transport and storage of Travel 503/1003/1103 spare batteries
1931-00	Travel outboard cover	For Travel 503/1003/1103. Protects motor cable from UV radiation and motor head from dirt. Waterproof and breathable

Item no.	Product	Description
1924-00	TorqTrac	Smartphone App for Travel 503/1003/1103, Cruise T/R and Ultralight models. Enables larger display of the onboard computer, display of ranges on the chart, and more. Requires Bluetooth Low Energy®-capable smartphone
1914-00	Magnetic kill switch	Emergency Stop switch and immobiliser for all Travel, Cruise and Ultralight models
1927-00	Travel spare parts kit	Kit for Travel consisting of magnetic kill switch, battery fixing pin and steering fixing pin
1128-00	12/24 V charging cable for Travel models and Ultralight 403	Enables charging of the Travel 503/1003/1103 models and Ultralight 403, 403 A/AC from a 12/24 V power source
1132-00	Sunfold 50	Folding 50 W solar panel, compact dimensions, high efficiency, plug-and-play connections for waterproof charging of Travel 503/1003/1103 models and Ultralight 403, 403 A/AC and 1103 AC; only compatible with batteries with item numbers 1146-00, 1147-00, 1148-00, 1416-00 and 1417-00
1133-00	90 W charger unit for Travel and Ultralight batteries	90 W charger unit for sockets between 100-240 V and 50-60 Hz. Use only with batteries with item numbers 1146-00, 1147-00, 1148-00, 1416-00 and 1417-00
1939-00	Zinc anode for salt water	Anode for operating the Cruise 2.0 / 4.0 with standard propeller and Travel 1103

14 Disposal and environment

ADVICE

Do not use the battery after the printed expiry date without having an inspection performed in a Torqeedo Service Centre.

The Torqeedo motors are manufactured in accordance with the EU Directive 2002/96. This directive governs the disposal of electrical and electronic devices with the aim of sustainable protection of the environment.

You can hand over the motor to a collection point in accordance with regional regulations. There, it will be disposed of properly.

14.1 Disposal of waste electrical and electronic equipment



Fig. 70: Crossed out waste bin

For customers in EU countries

The Travel system is subject to European Directive 2012/19/EU relating to Waste Electrical and Electronic Equipment – WEEE, and to the corresponding national laws. Here, the WEEE Directive forms the basis for handling waste electrical equipment across the whole of the EU. The Travel system is marked with the symbol of a crossed out waste bin, **see "Fig. 70: Crossed out waste bin"**. Waste electrical and electronic equipment must not be disposed of as normal household waste, because this could allow entry of pollutants to the environment which have effects injurious to health on humans, animals, and plants, and which build up in the food chain and

in the environment. In addition, valuable raw materials are lost in this way. Please therefore direct your waste equipment for separate collection in an environmentally-friendly way; to do so, contact your Torqeedo Service team or boat builder.

For customers in other countries

The Travel system is subject to European directive 2012/19/EU regarding waste electrical and electronic equipment. We recommend that the system is not discarded as normal household waste, but is disposed of via separate collection in an environmentally friendly way. Your national laws may also prescribe this. Please therefore ensure appropriate disposal of the system as per the regulations which apply in your country.

14.2 Disposal of batteries

Remove spent batteries immediately, and comply with the following specific disposal information relating to batteries and battery systems:

For customers in EU countries

Batteries are subject to European directive 2006/66/EC regarding (spent) batteries, as well as to the corresponding national laws. Here the Battery Directive forms the basis for handling batteries throughout the EU. Our batteries are marked with the symbol of a crossed-out waste bin, **see "Fig. 70: Crossed out waste bin"**. The designation of the pollutants contained, i.e. "Pb" for Lead, "Cd" for Cadmium, and "Hg" for Mercury, is located beneath this symbol. Waste batteries and waste accumulators may not be disposed of through regular household waste, because pollutants that have harmful effects on the health of humans, animals and plants may discharge into the environment and accumulate in the food chain or environment. In addition, valuable raw materials are lost in this way. Please therefore dispose of your spent batteries exclusively via specially set-up collection points, your dealer, or the manufacturer. There is no charge for handing them in.

For customers in other countries

Batteries are subject to European directive 2006/66/EC regarding (spent) batteries. The batteries are marked with the symbol of a crossed out waste bin, **see "Fig. 70: Crossed out waste bin"**. The designation of the pollutants contained, i.e. "Pb" for Lead, "Cd" for Cadmium, and "Hg" for Mercury, is located beneath this symbol. We recommend that the batteries are not discarded as normal household waste, but are disposed of via separate collection. Your national laws may also prescribe this. Please therefore ensure appropriate disposal of the batteries as per the regulations which apply in your country.

15 EC Declaration of Conformity

For the products listed below

1140-00 Travel 503 S

1141-00 Travel 503 L

1142-00 Travel 1003 S

1143-00 Travel 1003 L

1149-00 Travel 1003 CS

1150-00 Travel 1003 CL

1151-00 Travel 1103 CS

1152-00 Travel 1103 CL

We hereby state that they fulfil the principal protection requirements which are specified in the following directives:

DIRECTIVE **2013/53/EU** OF THE EUROPEAN PARLIAMENT AND OF THE COUNCIL of 20 November 2013 on recreational craft and personal watercraft and repealing Directive 94/25/EC

Applicable harmonised standards:

- **EN ISO 25197:2012+A1:2014** – Small craft – Electrical/electronic control systems for steering, shift and throttle
- **EN ISO 16315:2016** – Small marine craft – Electrical propulsion systems

DIRECTIVE **2006/42/EC** OF THE EUROPEAN PARLIAMENT AND OF THE COUNCIL of 17 May 2006 on machinery, and amending directive 95/16/EC (new version)

Applicable harmonised standard:

- **EN ISO 12100:2010** – Safety of machinery – General principles for design – Risk assessment and risk reduction

DIRECTIVE **2014/30/EU** OF THE EUROPEAN PARLIAMENT AND OF THE COUNCIL of 26 February 2014 on the harmonisation of the laws of the member states relating to electromagnetic compatibility

Applicable harmonised standard:

- **EN 61000-6-2:2005** – Electromagnetic compatibility (EMC) – Part 6-2: Generic standards – Immunity for industrial environments
- **EN 61000-6-3:2007+A1:2011** – Electromagnetic compatibility (EMC) – Part 6-3: Generic standards – Emission standard for residential, commercial and light-industrial environments

Person with responsibility for documentation as per Appendix II item 1 **Section A. No. 2, 2006/42/EC**:

This statement applies to all examples which were manufactured as per the corresponding production drawings, which are a component of the technical documentation.

This declaration is made for and on behalf of the manufacturer

Name: Torqeedo GmbH

Address: Friedrichshafener Strasse 4a, 82205 Gilching, Germany

Issued by

Surname, first name:

Dr. Plieninger, Ralf

Position in the manufacturer's operation:

Managing director



Gilching, 02/01/2019

Place/date

Legal signature

Document number:

203-00002

Date:

14.10.2019

16 Copyright

These instructions and the texts, drawings, images, and other representations which they contain are protected by copyright. Reproduction of any type or form whatsoever - even as extracts - as well as the use or publication of the content are not permitted without the written statement of agreement of the manufacturer.

Contraventions create an obligation to compensate for damages. The right to further claims is reserved.

Torqueedo reserves the right to modify this document without advance notification. Torqueedo has taken significant efforts to ensure that these instructions are free from errors and omissions.

Torqueedo Service Centre

Europe, Middle East, Africa

Torqueedo GmbH
- Service Centre -
Friedrichshafener Strasse 4a
82205 Gilching Germany
service@torqueedo.com
T +49 - 8153 - 92 15 - 126
F +49 - 8153 - 92 15 - 329

North America

Torqueedo Inc.
171 Erick Street, Unit D- 2
Crystal Lake, IL 60014
USA
service_usa@torqueedo.com
T +1 - 815 - 444 88 06
F +1 - 847 - 444 88 07

Asia-Pacific

Torqueedo Asia Pacific Ltd.
Athenee Tower, 23rd Floor Wireless Road, Lumpini,
Pathumwan, Bangkok 10330
Thailand
service_apac@torqueedo.com
T +66 (0) 212 680 30
F +66 (0) 212 680 80

Torqueedo companies

Germany

Torqueedo GmbH
Friedrichshafener Strasse 4a
82205 Gilching Germany
info@torqueedo.com
T +49 - 8153 - 92 15 - 100
F +49 - 8153 - 92 15 - 319

North America

Torqueedo Inc.
171 Erick Street, Unit A-1
Crystal Lake, IL 60014
USA
usa@torqueedo.com
T +1 - 815 - 444 88 06
F +1 - 847 - 444 88 07

Thailand

Torqueedo Asia Pacific Ltd.
Athenee Tower, 23rd Floor Wireless Road,
Lumpini, Bangkok 10330
Thailand
apac@torqueedo.com
T +66 (0) 212 680 15
F +66 (0) 212 680 80

Item number: **039-00349**