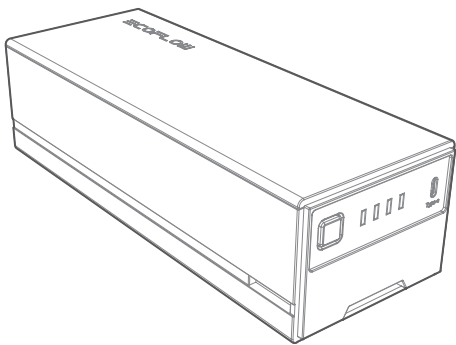


ECOFLOW

EcoFlow Glacier Plug-in Battery Portable Fridge Extra Battery

User Manual V1.0



Disclaimer

Read this user manual carefully before using the product to ensure that you completely understand the product and can correctly use it. After reading this user manual, keep it properly for future reference. Improper use of this product may cause serious injury to yourself or others, or cause product damage and property loss. Once you use this product, it is deemed that you understand, approve and accept all the terms and content in this document. EcoFlow is not liable for any loss caused by the user's failure to use this product in compliance with this user manual.

In compliance with laws and regulations, EcoFlow reserves the right to final interpretation of this document and all documents related to this product. This document is subject to changes (updates, revisions, or termination) without prior notice. Please visit EcoFlow's official website to obtain the latest product information.

Contents

Technical Specifications	1
Safety Instructions	2
Beginner's Guide	3
Product Appearance	3
Installation Instructions	3
How to Use the Product	5
Charging the Product	6
Charging your electronic device	6
Indicators	7
Care and Maintenance	8
Maintenance Instructions	8
Disposal	9
Package Contents	9

Technical Specifications

Basic Information

Model	EFBX100-EB
Nominal capacity	298 Wh
Charge time	2.5 hours
Rated voltage	21.6 V
Combination	6S3P
Charge cut-off voltage	25.16 V
Discharge cut-off voltage	18 V
Maximum continuous charge current	8.9 A
Maximum continuous discharge current	33.3 A
USB-C port	Input: 100 W (20 V/5 A), charge for 4 hours Output: 100 W Max (5 V/9 V/12 V/15 V/20 V, 5 A)
Cell system	NCM lithium battery
Cycle life time	After 800 cycles, the remaining capacity is 80%
Dimensions (L × W × H)	245.5 mm × 92 mm × 68 mm (9.7 in × 3.6 in × 2.7 in)
Net weight	1.9 kg (4.2 lbs)
Operation environment	
Discharge temperature	-20°C to 50°C (-4°F to 122°F)
Charge temperature	0°C to 45°C (32°F to 113°F)
Storage temperature	-20°C to 45°C (-4°F to 113°F) Optimal at: 15°C to 35°C (59°F to 95°F)



Whether this product can be charged or discharged is subject to its actual temperature.

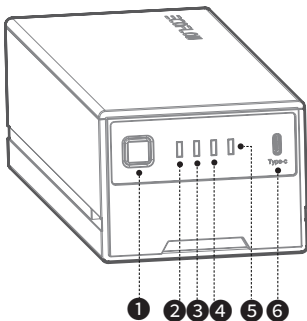


Safety Instructions

- Keep this battery away from heat sources, such as fires or heating furnaces.
- Keep this battery away from any liquid. Do not immerse this battery in water or get it wet. Do not use this battery in rain or humid environments.
- Do not use this battery in environments with strong static electricity or magnetic fields.
- Do not disassemble this battery in any way or pierce it with sharp objects.
- Do not directly use metal wires or any metal to connect the positive and negative electrodes of the battery at the same time.
- Do not disassemble or replace the battery cells.
- Do not stack other heavy objects on this battery.
- Do not place this battery in an unventilated or dusty environment.
- Do not use unofficial components or accessories. If components or accessories need to be replaced, purchase them from the EcoFlow official sales channels.
- If the casing is dropped or the interior is exposed, do not handle it yourself, and request a professional to check and repair it.
- If the chemical substance inside the battery leaks accidentally, do not touch or inhale it. Once it accidentally contacts the skin or eyes, wash it with plenty of water, and take medical measures if necessary.
- Do not wear watches, necklaces, bracelets and other metal objects when operating the battery to avoid accidental short circuit. If the battery catches fire, we recommend that you use fire extinguishers in the following order: water or water mist, sand, fire blanket, dry powder fire extinguisher, and carbon dioxide fire extinguisher.
- When using the battery for the first time, do not continue to use the battery in the device and return the battery to the seller if the battery looks damaged or smells abnormal.
- If the battery falls into water, place it in a safe open area and stay away from it until it is completely dry. Do not use the dried battery and dispose of it according to the disposal methods in the section **Disposal**.
- If the battery is still being charged after the normal charge time is exceeded, stop charging. Overcharging may cause the battery to heat up, deform with smoke, or burn.
- Keep this product out of reach of children and pets.

Beginner's Guide

Product Appearance



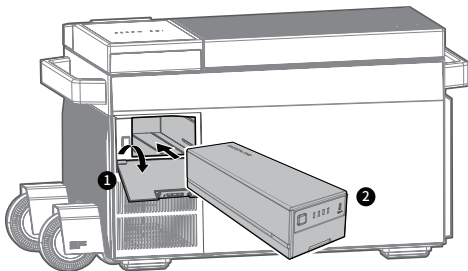
1. Power button
2. Indicator 1
3. Indicator 2
4. Indicator 3
5. Indicator 4
6. USB-C port

Installation Instructions

Installing the Battery Pack



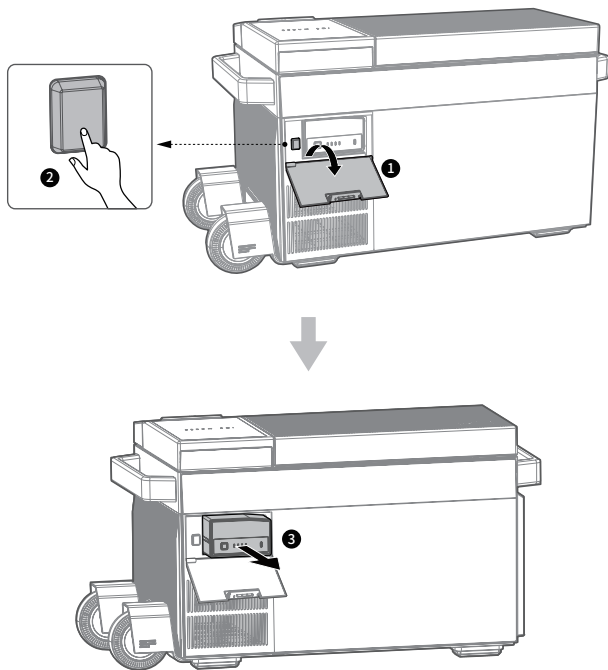
Ensure the refrigerator is powered off before installing the battery pack.



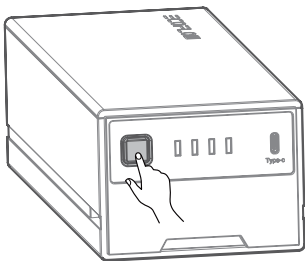
Removing the Battery Pack



Ensure the refrigerator is powered off before removing the battery pack.



How to Use the Product



- When the refrigerator is powered on, the BX100 battery pack is turned on simultaneously. When the refrigerator is powered off, the BX100 battery pack is also turned off.
- Regardless of whether the refrigerator is powered on or off, and whether the BX100 battery pack is in place, press the power button of the battery pack to enable or disable the USB-C port independently, without controlling the refrigerator port.

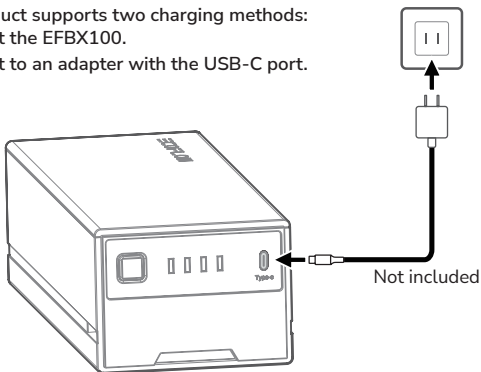


The BX100 battery pack can be used with the refrigerator or separately.

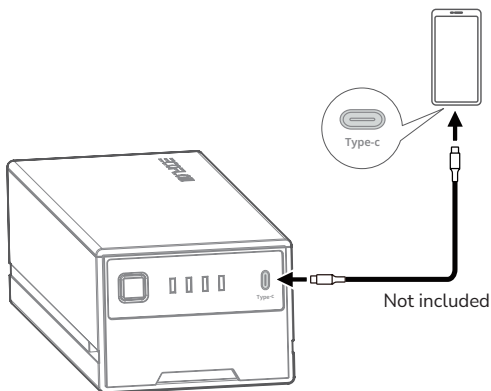
Charging the Product

This product supports two charging methods:

- Connect the EFBX100.
- Connect to an adapter with the USB-C port.



Charging your electronic device



Indicators

Startup animation	Indicators 1-4 are turned on in sequence.	
Shutdown animation	Indicators 4-1 are turned off in sequence.	
High temperature indicator	Only indicator 2 blinks.	
Low temperature indicator	Only indicator 3 blinks.	
Power level indication (discharge)	0%	Indicators 1-4 blink simultaneously.
	1-25%	Indicator 1 is on and fixed.
	26-50%	Indicators 1-2 are on and fixed.
	51-75%	Indicators 1-3 are on and fixed.
	76-100%	Indicators 1-4 are on and fixed.
Power level indication (charge)	0-25%	Indicator 1 blinks.
	26-50%	Indicator 1 is on and fixed., and indicator 2 blinks.
	51-75%	Indicators 1-2 are on and fixed., and indicator 3 blinks.
	76-99%	Indicators 1-3 are on and fixed., and indicator 4 blinks.
	100%	Indicators 1-4 are on and fixed..
Updating indication	Indicators 2 and 3 blink alternatively.	

Care and Maintenance

Maintenance Instructions

- Install this battery in a dry and well-ventilated environment. If the storage ambient temperature is too high or too low, it will affect the self-discharge rate of the battery and accelerate the natural aging of the battery. It is recommended that the storage temperature is 15°C - 35°C (59°F-95°F), and keep the battery away from water sources, heat sources, and other metal objects.
- If the battery is not used for a long time, it is recommended to store the battery properly and keep the battery in a half-charged state (50% SOC). It is recommended to discharge the battery to 30% every three months, and then recharge it to 60%.
- For safety reasons, do not store this battery in an environment where the temperature is higher than 35°C (95°F) or lower than 15°C (59°F) for a long time.
- To prolong the service life of the battery, it is recommended to use the battery in an environment with a temperature of 15°C-35°C(59°F-95°F).
- When the battery temperature is lower than 0°C (32°F), the battery cannot be used for charging. When the battery temperature is lower than -10°C (14°F), the battery cannot be used for discharging.
- If the power level of the battery is lower than 1% after use, charge it to 60% before storage. If the battery has been idle for a long time when the power is seriously insufficient, it will cause irreversible damage to the battery cells and shorten the service life of the battery.
- If the battery has been idle for a long time and the power level is severely low, it will enter a deep sleep protection mode. In such a case, charge the battery before using it again.

Disposal



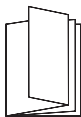
- When conditions permit, be sure to completely discharge the battery before placing the battery in the designated battery recycling bin. This product contains batteries. Batteries are dangerous chemicals and should not be disposed of in ordinary trash bins. For details, follow the local battery recycling and disposal laws and regulations.
- If the battery cannot be completely discharged due to battery failure, do not dispose of the battery directly in the battery recycling bin, and contact a professional battery recycling company for further processing.
- If the battery cannot start after being discharged, dispose of it according to local laws and regulations on battery recycling and disposal.

Package Contents

EFBX100-EB
battery pack × 1



User Manual & Warranty
Card ×1



≡COFLOW



PAP

Raccolta carta